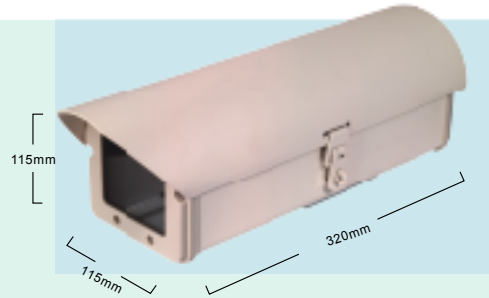


Accessories

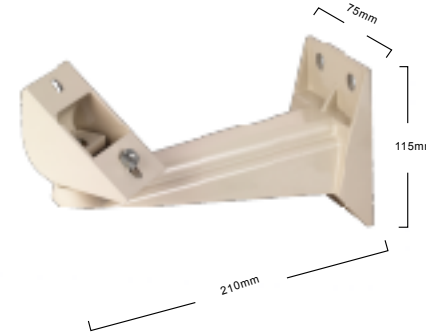
In/Outdoor Camera Housings

B3

External Dimension	115W x 115H x 320D(mm)
Internal Dimension	100W x 100H x 300D(mm)
Construction	Extruded Aluminum Body and UV protected plastic Front/End
Finish	Semi gloss Ivory (EX8816)
Window	Glass, 66(H) x 76(W)mm
Cable Access	3 Liquid tight compression fittings located at bottom of rear cap
Camera Access	Slide access from rear of housing with Detectable End cap
Camera Mounting	Slot allows adjustable camera positioning with 1/4 ~ 20 screws
Housing Mounting	3 1/4 ~ 20 tapped holes on the bottom of mounting bracket
Weight	1.0 kg
Operating Temperature	-20 ~ 45 degC

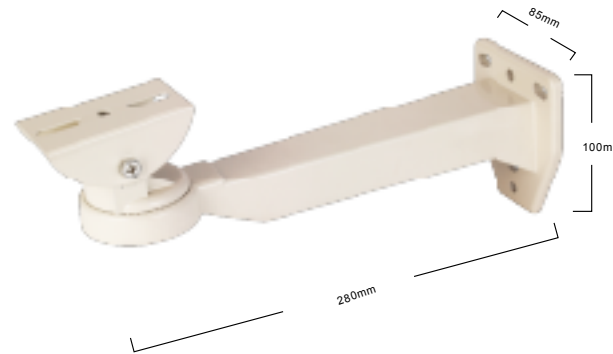


BRACKET



L1

Material	Steel
TYPE	Up-down $\pm 90^\circ$
Camera Fixing	Left-Right 360°
Max load	5Kg
Weight	450g
Dimensions	75(W) \times 115(H) \times 210(L)



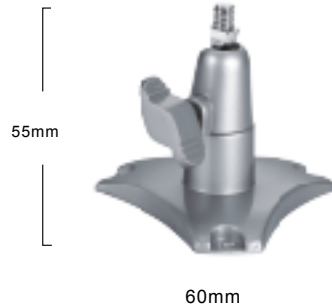
L2

Material	Steel
TYPE	Up-down $\pm 90^\circ$
Camera Fixing	Left-Right 360°
Max load	8Kg
Weight	560g
Dimensions	85(W) \times 100(H) \times 280(L)

BRACKET

K5

Material	Aluminum
TYPE	Up-down $\pm 90^\circ$
Camera Fixing	Left-Right 360°
Max load	1.5Kg
Weight	180g
Dimensions	55(W) \times 60(L)mm



BRACKET

K4

Material	Aluminum
TYPE	Up-down $\pm 90^\circ$
Camera Fixing	1.4" 20-UNC
Max load	3Kg
Weight	360g
Dimensions	60(W) \times 115(L)mm

