

# IR LED Dome Camera

# EB

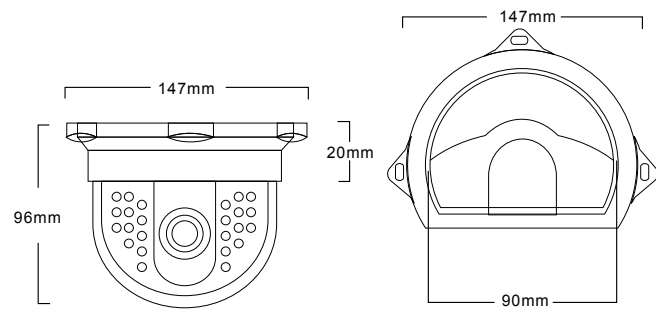


## KC-EB3148E/EB3142/EB3140

### Features

- Robust metal Armor Housing
- Compact and Beautiful Design
- Easy access to lens for exchange
- Aluminum ring

- KC-EB3148E** 1/3" SONY Exview HAD Color CCD 480TVL 0.3Lux (LED off)
- KC-EB3142** 1/3" SONY Super HAD Color CCD 420TVL 0.5Lux (LED off)
- KC-EB3140** 1/3" SHARP Super Color CCD 420TVL 0.8Lux (LED off)



Weight:400g



## SPECIFICATIONS

## IR LED Dome Camera

SPECIFICATIONS	EB SERIES					
	KC-EB3148E		KC-EB3142		KC-EB3140	
MODEL NO.						
TV SYSTEM	NTSC	PAL	NTSC	PAL	NTSC	PAL
IMAGE SENSOR	1/3"Sony Exview HAD CCD	●	1/3"Sony Super HAD CCD	●	1/3"Sharp Super CCD	●
DSP	Sony	●	Sony	●	Sharp	●
CCD TOTAL PIXELS	811 (H)x508 (V)	795 (H)x596 (V)	537 (H)x505 (V)	537 (H)x597 (V)	542 (H)x492 (V)	512 (H)x582 (V)
SCANNING SYSTEM	525 lines, 60 fields/sec	625 lines, 50 fields/sec	525 lines, 60 fields/sec	625 lines, 50 fields/sec	525 lines, 60 fields/sec	625 lines, 50 fields/sec
SYNC SYSTEM	Internal	●	Internal	●	Internal	●
MINIMUM ILLUMINATION	0.3 Lux F1.2	0.3 Lux F1.2	0.5 Lux F1.2	0.5 Lux F1.2	0.8 Lux F1.2	0.8 Lux F1.2
	0 Lux(IR ON)	0 Lux(IR ON)	0 Lux(IR ON)	0 Lux(IR ON)	0 Lux(IR ON)	0 Lux(IR ON)
RESOLUTION	480 TV Line	480 TV Line	420 TV Line	420 TV Line	420 TV Line	420 TV Line
WHITE BALANCE	ATW / AWC Switchable	●	ATW / AWC Switchable	●	ATW / AWC Switchable	●
GAIN CONTROL	AGC ON / OFF switchable	●	AGC ON / OFF switchable	●	AGC ON / OFF switchable	●
S / N RATIO	48dB (AGC OFF)	●	48dB (AGC OFF)	●	48dB (AGC OFF)	●
ELECTRONIC SHUTTER	1/60~1/120,000 sec.	1/50~1/120,000 sec.	1/60~1/120,000 sec.	1/50~1/120,000 sec.	1/60~1/120,000 sec.	1/50~1/120,000 sec.
B.L.C. FUNCTION	ON / OFF switchable	●	ON / OFF switchable	●	ON / OFF switchable	●
MIRROR FUNCTION					ON / OFF switchable	●
VIDEO OUTPUT	Composite 1.0V p-p at 75 ohm	●	Composite 1.0V p-p at 75 ohm	●	Composite 1.0V p-p at 75 ohm	●
GAMMA CORRECTION	0.45	●	0.45	●	0.45	●
LENS	Board Lens mount	●	Board Lens mount	●	Board Lens mount	●
IR LED	(850nm, 15°) x 12 LEDs	●	(850nm, 15°) x 12 LEDs	●	(850nm, 15°) x 12 LEDs	●
	(850nm, 45°) x 16 LEDs	●	(850nm, 45°) x 16 LEDs	●	(850nm, 45°) x 16 LEDs	●
VISIBLE DISTANCE AT	20m (Lens 8mm)	●	20m (Lens 8mm)	●	20m (Lens 8mm)	●
OPERATION TEMPERATURE	-10℃ to 50℃	●	-10℃ to 50℃	●	-10℃ to 50℃	●
OPERATIONAL HUMIDITY	within 85%RH	●	within 85%RH	●	within 85%RH	●
POWER SUPPLY	DC12V±1V / 350mA	●	DC12V±1V / 350mA	●	DC12V±1V / 350mA	●
DIMENSIONS(φXH)	132X100	●	132X100	●	132X100	●
WEIGHT-NET	380g	●	380g	●	380g	●