

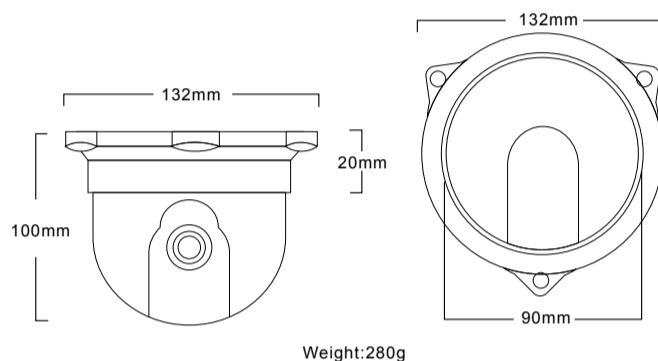
Professional dome camera



KC-K3142/K3140/K4140

Features

- Aluminum ring
- Easy Install mechanism
- Compact and Beautiful design
- Easy access to lens for exchange



KC-K3142 1/3" SONY Super HAD Color CCD 420TVL 0.5Lux

KC-K3140 1/3" SHARP Super Color CCD 420TVL 0.8Lux

KC-K4140 1/4" SHARP Super Color CCD 420TVL 0.8Lux



SPECIFICATIONS

Professional Dome Camera

SPECIFICATIONS	K SERIES					
	KC-K3142		KC-K3140		KC-K4140	
MODEL NO.	NTSC	PAL	NTSC	PAL	NTSC	PAL
TV SYSTEM	NTSC	PAL	NTSC	PAL	NTSC	PAL
IMAGE SENSOR	1/3" SONY Super HAD CCD	●	1/3" Sharp Super CCD	●	1/4" Sharp Super CCD	●
DSP	Sony	●	Sharp	●	Sharp	●
CCD TOTAL PIXELS	537 (H) x505 (V)	537 (H) X 597 (V)	542 (H) x492 (V)	512 (H) x582 (V)	542 (H) X492 (V)	512 (H) X582 (V)
SCANNING SYSTEM	525 lines, 60 fields/sec	625 lines, 50 fields/sec	525 lines, 60 fields/sec	625 lines, 50 fields/sec	525 lines, 60 fields/sec	625 lines, 50 fields/sec
SYNC SYSTEM	Internal	●	Internal	●	Internal	●
MINIMUM ILLUMINATION	0.5 Lux F1.2	0.5 Lux F1.2	0.8 Lux F1.2	0.8 Lux F1.2	0.8 Lux F1.2	0.8 Lux F1.2
RESOLUTION	420 TV Line	420 TV Line	420 TV Line	420 TV Line	420 TV Line	420 TV Line
WHITE BALANCE	ATW / AWC Switchable	●	ATW / AWC Switchable	●	ATW / AWC Switchable	●
GAIN CONTROL	AGC ON / OFF switchable	●	AGC ON / OFF switchable	●	AGC ON / OFF switchable	●
S / N RATIO	48dB (AGC OFF)	●	48dB (AGC OFF)	●	48dB (AGC OFF)	●
ELECTRONIC SHUTTER	1/60~1/100,000 sec.	1/50~1/100,000 sec.	1/60~1/100,000 secretary.	1/50~1/100,000 sec.	1/60~1/100,000 secretary.	1/50~1/100,000 sec.
LENS MOUNT	Board Lens Mount	●	Board Lens Mount	●	Board Lens Mount	●
B.L.C. FUNCTION	ON / OFF switchable	●	ON / OFF switchable	●	ON / OFF switchable	●
MIRROR FUNCTION			ON / OFF switchable	●	ON / OFF switchable	●
VIDEO OUTPUT	Composite 1.0V p-p at 75 ohm	●	Composite 1.0V p-p at 75 ohm	●	Composite 1.0V p-p at 75 ohm	●
GAMMA CORRECTION	0.45	●	0.45	●	0.45	●
OPERATION TEMPERATURE	-10°C TO 50°C	●	-10°C TO 50°C	●	-10°C TO 50°C	●
OPERATIONAL HUMIDITY	within 85% RH	●	within 85% RH	●	within 85% RH	●
POWER SUPPLY	DC12V±1V / 150mA	●	DC12V±1V / 150mA	●	DC12V±1V / 150mA	●
DIMENSIONS(φx H)	132X100	●	107X78	●	107X78	●
WEIGHT-NET	380g	●	280g	●	280g	●