

IR LED Day & Night Camera

KC-S3142/S4140/S3138

Features

True Day & Night IR LED Bullet camera
LED spectrum : 850nm 12 IR LEDs
Visible distance at "0" Lux dark (IR on) 15M
Weatherproof (IP 57)

KC-S3142

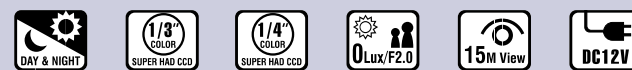
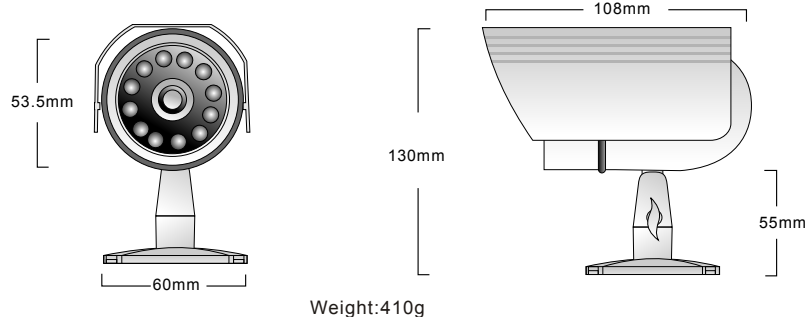
1/3" SONY Super HAD Color CCD 420TV lines. 0.5Lux (LED off)

KC-S4140

1/4" SHARP Super Color CCD 420TV lines. 0.8Lux (LED off)

KB-S3138

1/3" A1 B/W CCD 420TV lines 0.05Lux(LED Off)



SPECIFICATIONS

SPECIFICATIONS	S SERIES					
	KC-S3142		KC-S4140		KB-S3138	
MODEL NO.						
TV SYSTEM	NTSC	PAL	NTSC	PAL	EIA	CCIR
IMAGE SENSOR	1/3"Sony Super HAD CCD	●	1/4"Sharp Super CCD	●	1/3-inch CCD	●
DSP	Sony	●	Sharp	●	A1	●
CCD TOTAL PIXELS	537 (H)x505 (V)	537 (H)x597 (V)	542 (H)x492 (V)	512 (H)x582 (V)	537 (H)x505 (V)	537 (H)x597 (V)
SCANNING SYSTEM	525 lines, 60 fields/sec	625 lines, 50 fields/sec	525 lines, 60 fields/sec	625 lines, 50 fields/sec	525 lines, 60 fields/sec	625 lines, 50 fields/sec
SYNC SYSTEM	Internal	●	Internal	●	Internal	●
MINIMUM ILLUMINATION	0.5 Lux F1.2	0.5 Lux F1.2	0.8 Lux F1.2	0.8 Lux F1.2	0.05 Lux F1.2	0.05 Lux F1.2
	0 Lux(IR ON)	0 Lux(IR ON)	0 Lux(IR ON)	0 Lux(IR ON)	0 Lux(IR ON)	0 Lux(IR ON)
RESOLUTION	420 TV Line	420 TV Line	420 TV Line	420 TV Line	380 TV Line	380 TV Line
WHITE BALANCE	ATW / AWC Switchable	●	ATW / AWC Switchable	●		
GAIN CONTROL	AGC ON / OFF switchable	●	AGC ON / OFF switchable	●	AGC ON / OFF switchable	●
S / N RATIO	48dB (AGC OFF)	●	48dB (AGC OFF)	●	48dB (AGC OFF)	●
ELECTRONIC SHUTTER	1/60~1/120,000 sec.	1/50~1/120,000 sec.	1/60~1/120,000 sec.	1/50~1/120,000 sec.	1/60~1/120,000 sec.	●
B.L.C FUNCTION	ON / OFF switchable	●	ON / OFF switchable	●	ON / OFF switchable	●
MIRROR FUNCTION			ON / OFF switchable	●		
VIDEO OUTPUT	Composite 1.0V p-p at 75 ohm	●	Composite 1.0V p-p at 75 ohm	●	Composite 1.0V p-p at 75 ohm	●
GAMMA CORRECTION	0.45	●	0.45	●	0.45	●
LENS	Board Lens mount	●	Board Lens mount	●	Board Lens mount	●
IR LED	(850nm, 45°) x 12 LEDs	●	(850nm, 45°) x 12 LEDs	●	(850nm, 45°) x 12 LEDs	●
VISIBLE DISTANCE AT	15m (Lens 8mm)	●	15m (Lens 8mm)	●	15m (Lens 8mm)	●
OPERATION TEMPERATURE	-10°C TO 50°C	●	-10°C TO 50°C	●	-10°C TO 50°C	●
OPERATIONAL HUMIDITY	within 85%RH	●	within 85%RH	●	within 85%RH	●
POWER SUPPLY	DC12V ± 1V / 350mA	●	DC12V ± 1V / 350mA	●	DC12V ± 1V / 350mA	●
DIMENSIONS(L x W x H)	108X60X130	●	108X60X130	●	108X60X130	●
WEIGHT-NET	410g	●	410g	●	410g	●